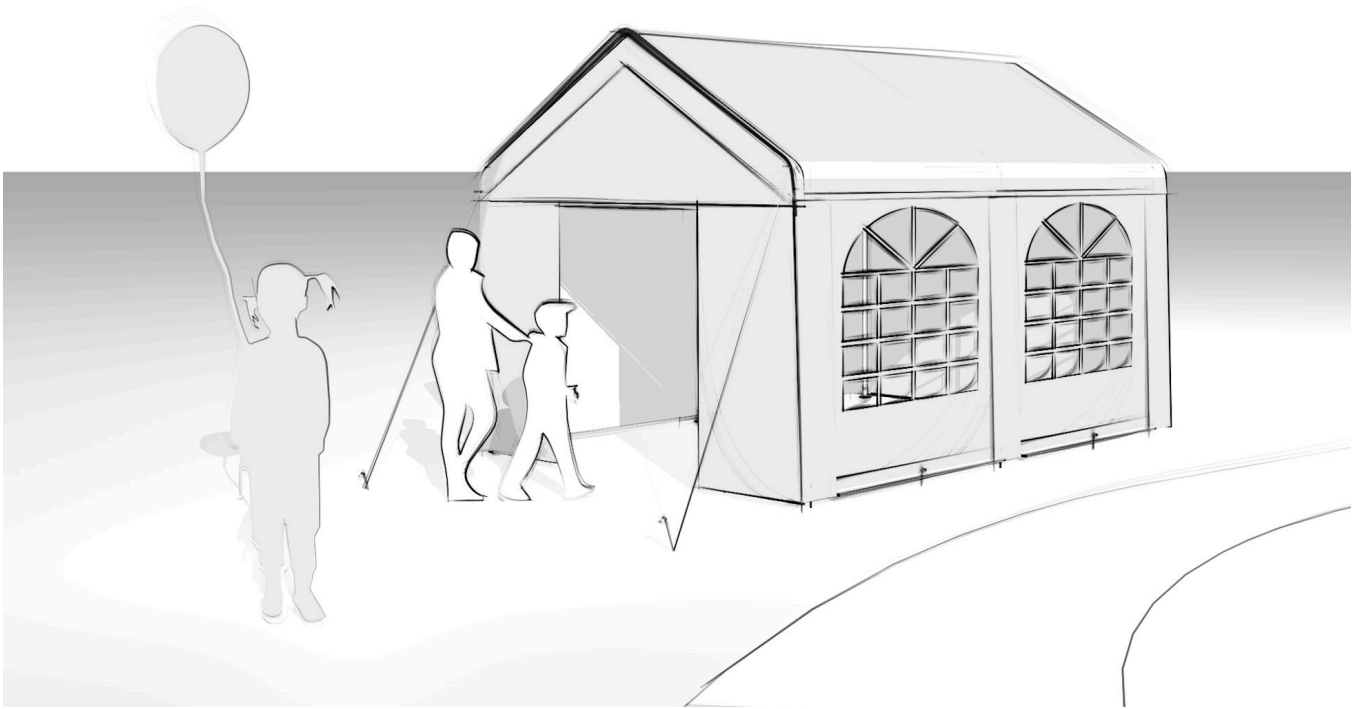




**PT-L1-Q2 4 m x 5 m**



07/2024-04

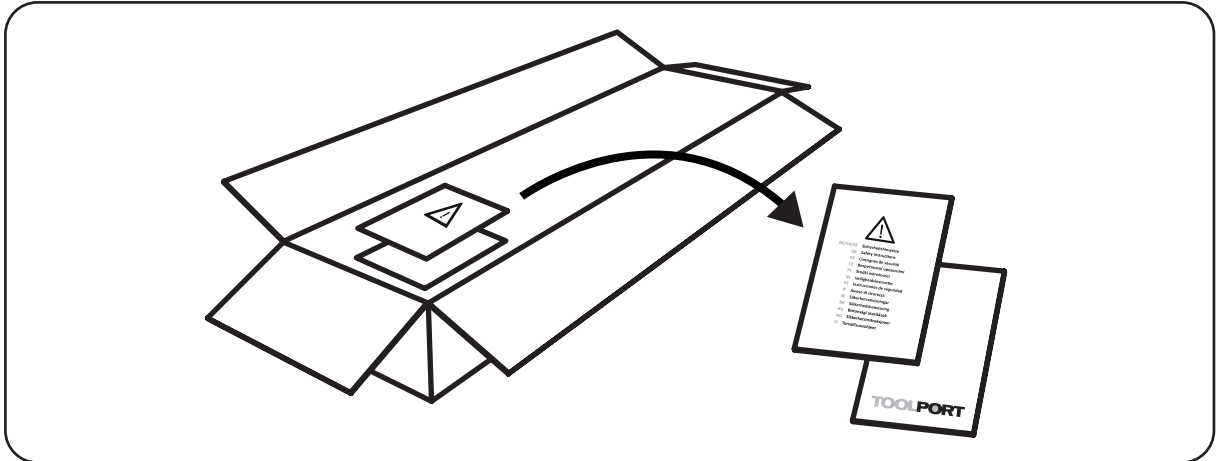
# TOOLPORT



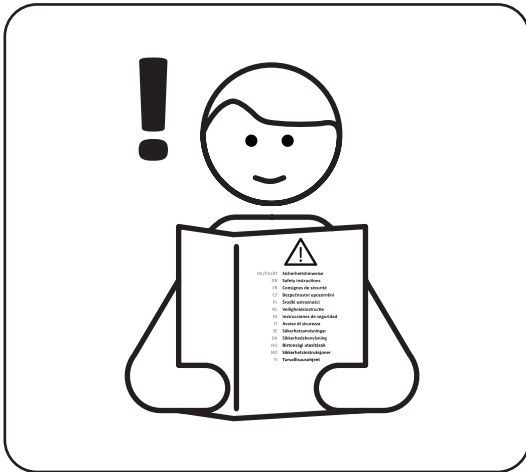


PT-L1-Q2 4 m x 5 m

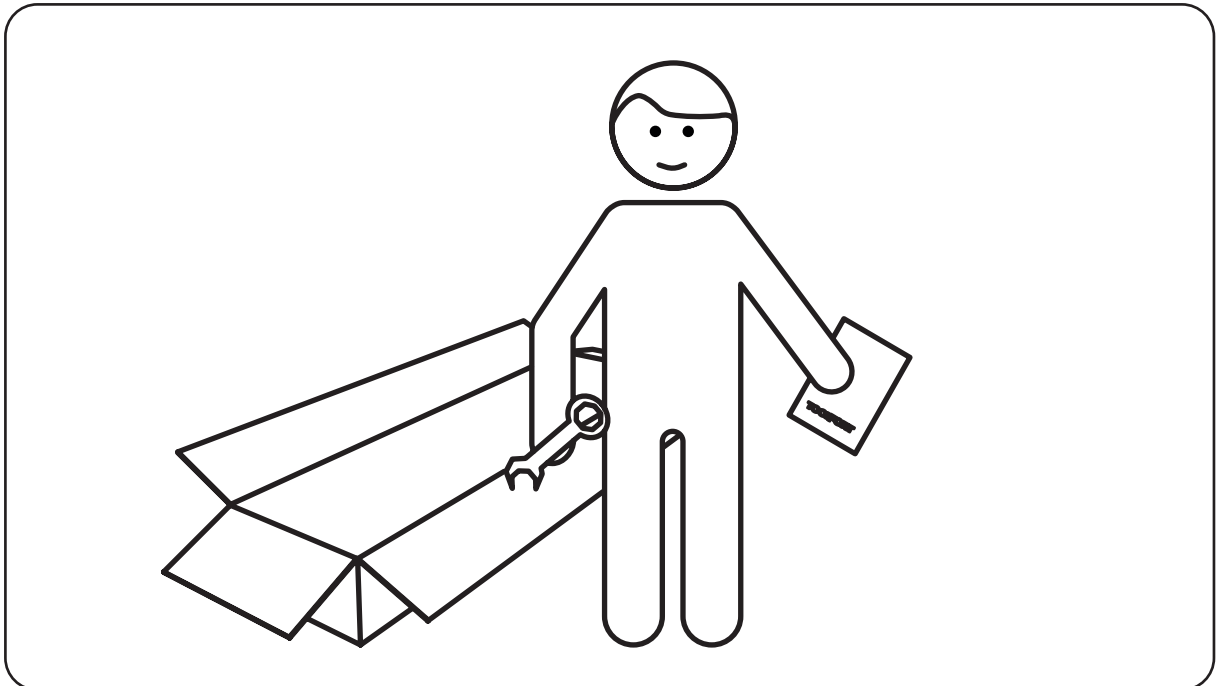
A



B


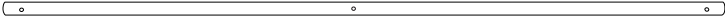

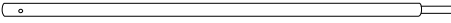
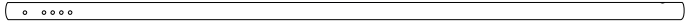
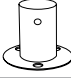

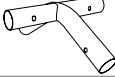
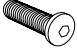

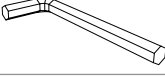

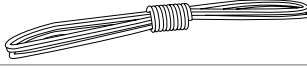


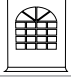
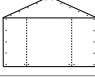




C





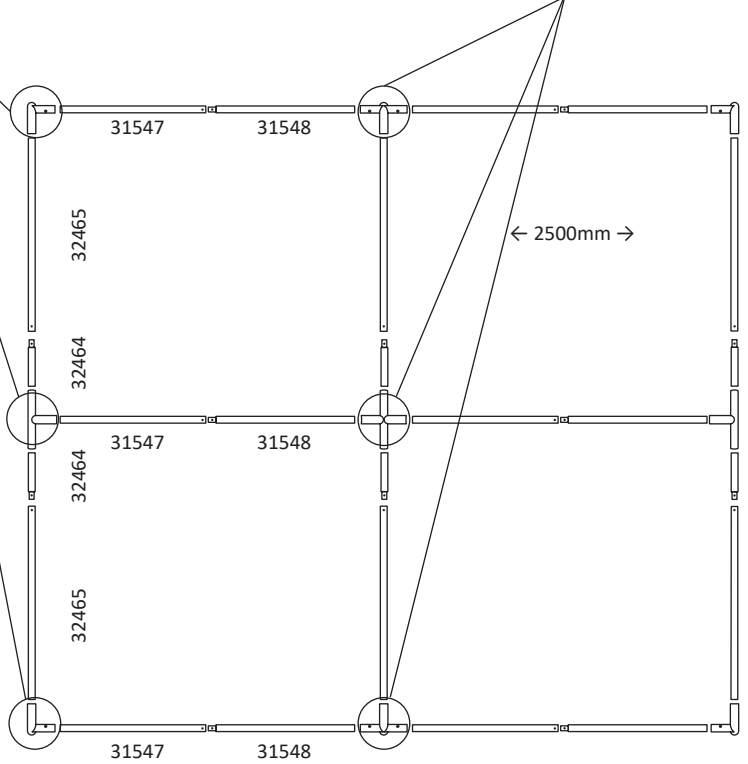
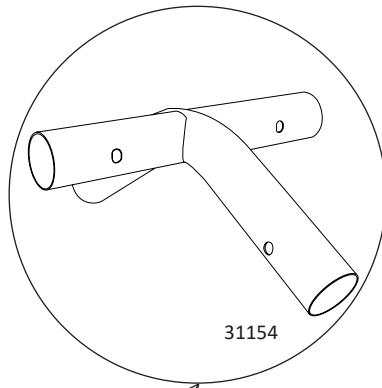
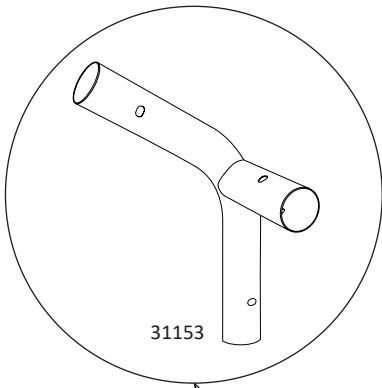
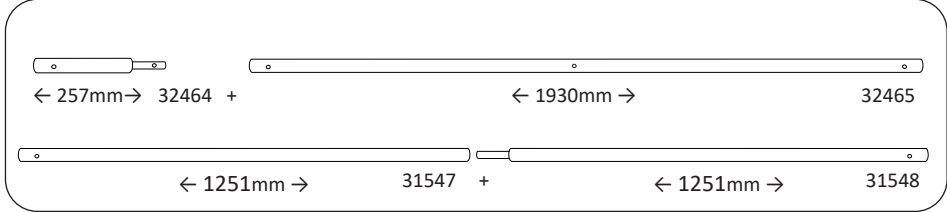
# PT-L1-Q2 4 m x 5 m

Item no.		5m
32464	 Ø38mm      ← 257mm →	6
32465	 Ø38mm      ← 1930mm →	6
31547	 Ø38mm      ← 1251mm →	6
31548	 Ø38mm      ← 1251mm →	6
31461	 Ø38mm      ← 1895mm →	6
31005		6
31153		6
31154		3
33093		48
30052		48
31459		1
30430		70
30050		4
30051		6
		1
		4
		2
30046	 ← 180mm →	4
30047	 ← 160mm →	31



# PT-L1-Q2 4 m x 5 m

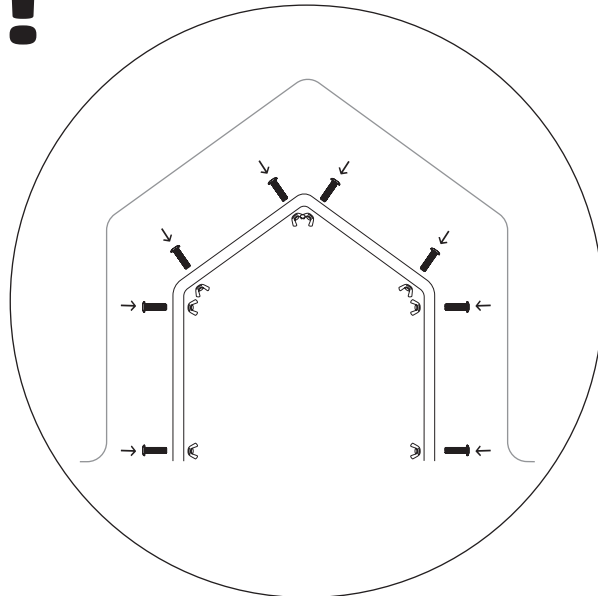
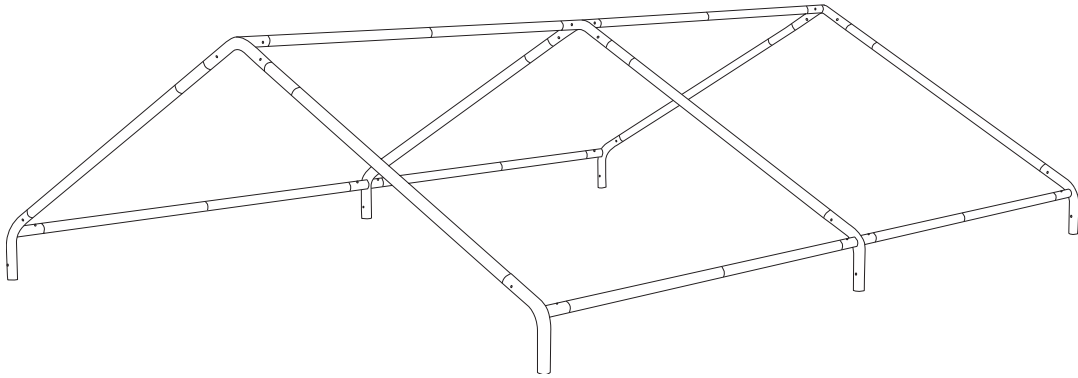
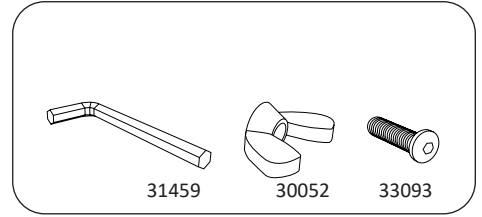
1





# PT-L1-Q2 4 m x 5 m

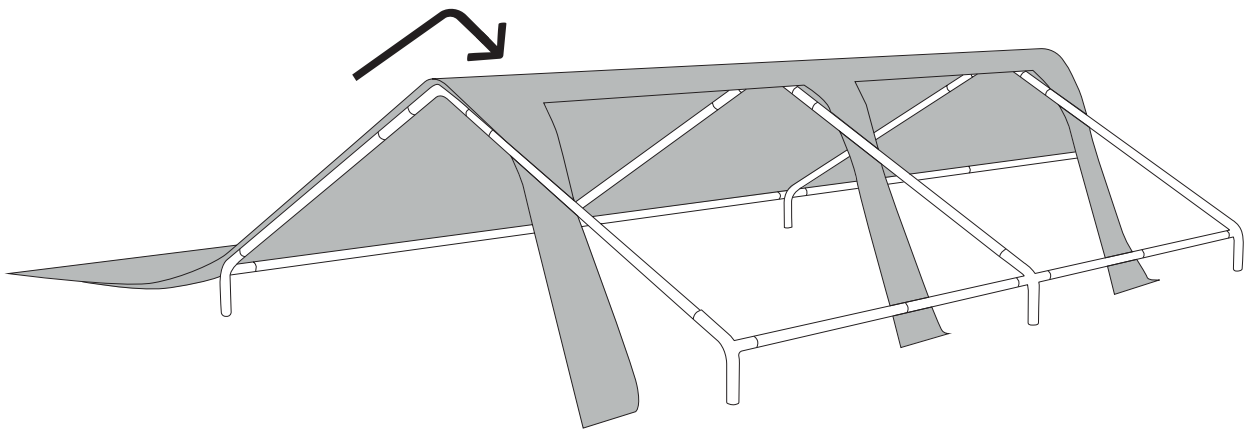
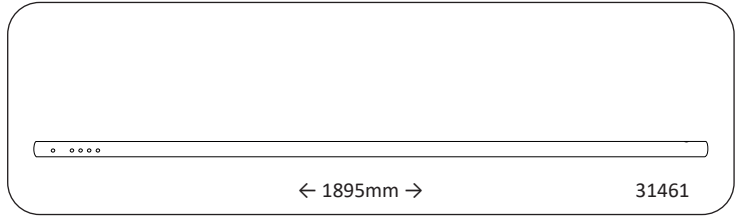
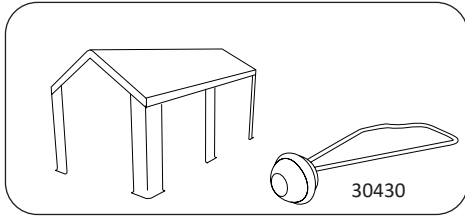
2



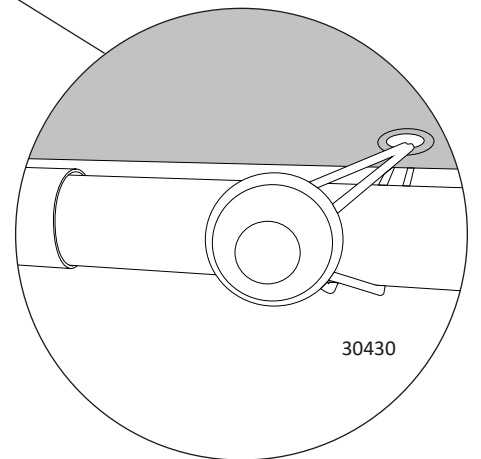
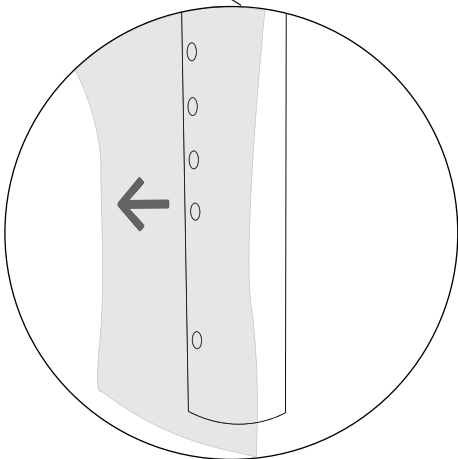
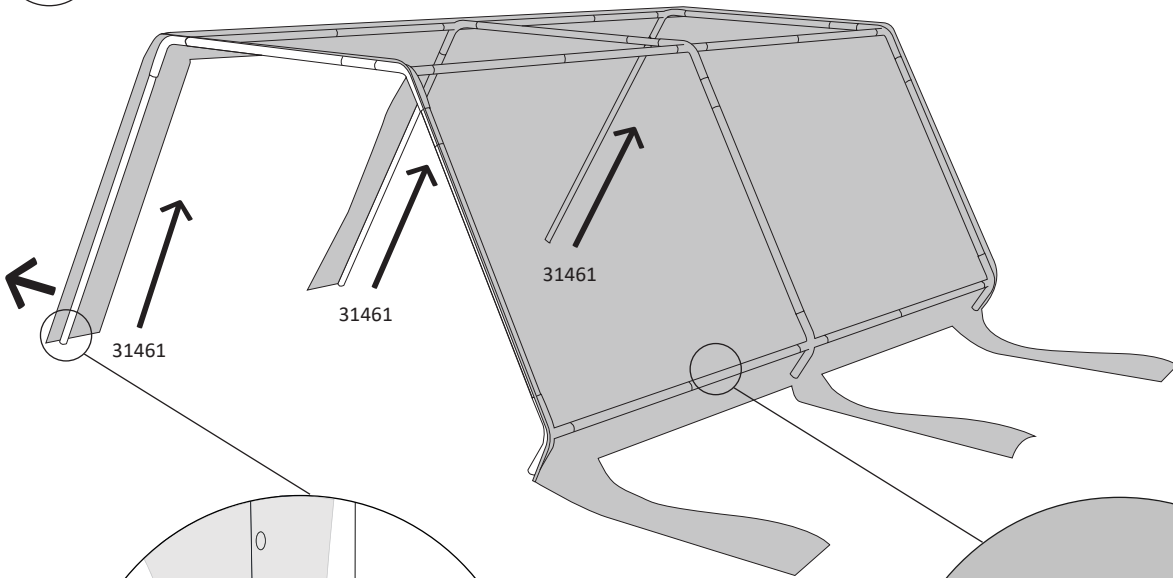


# PT-L1-Q2 4 m x 5 m

3



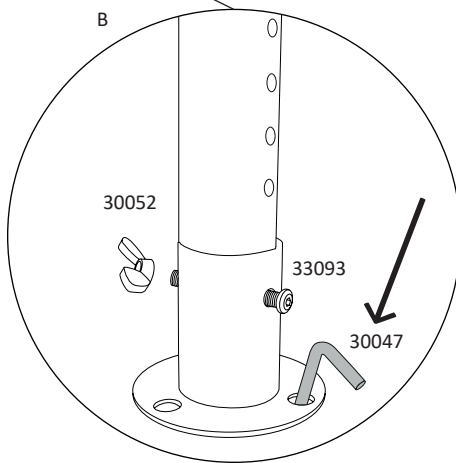
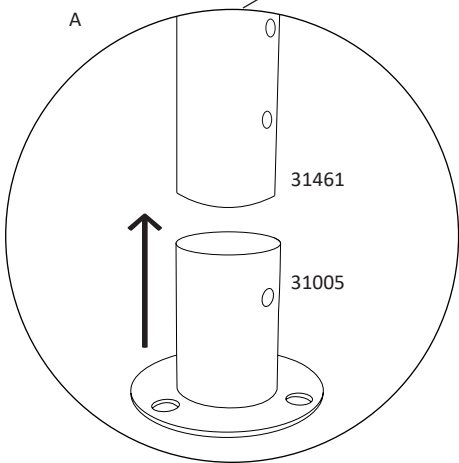
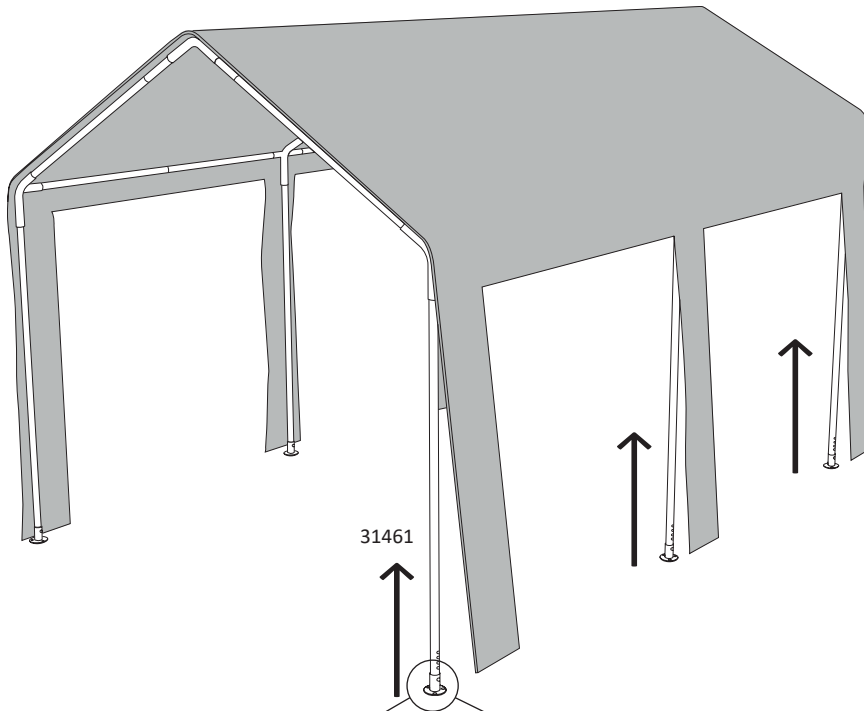
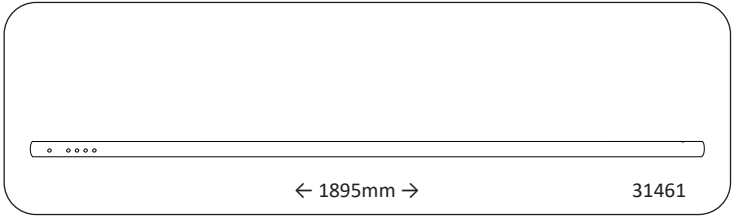
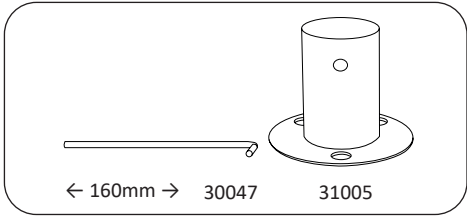
4





# PT-L1-Q2 4 m x 5 m

5

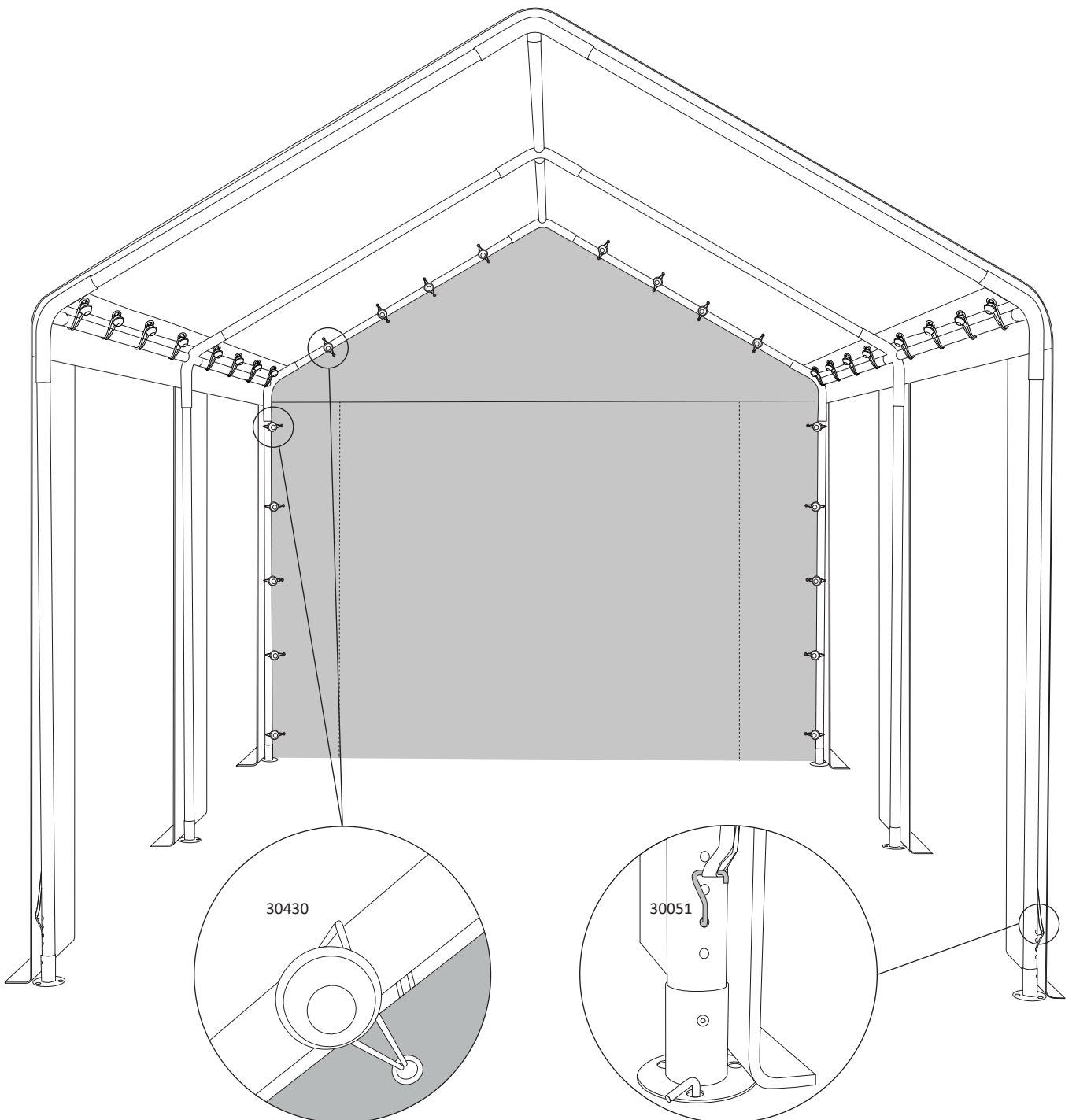
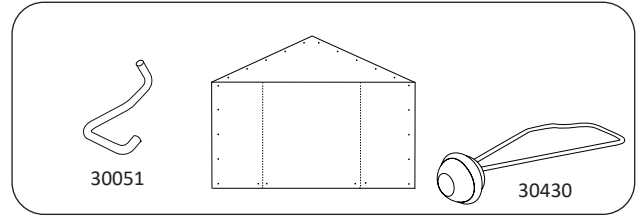






# PT-L1-Q2 4 m x 5 m

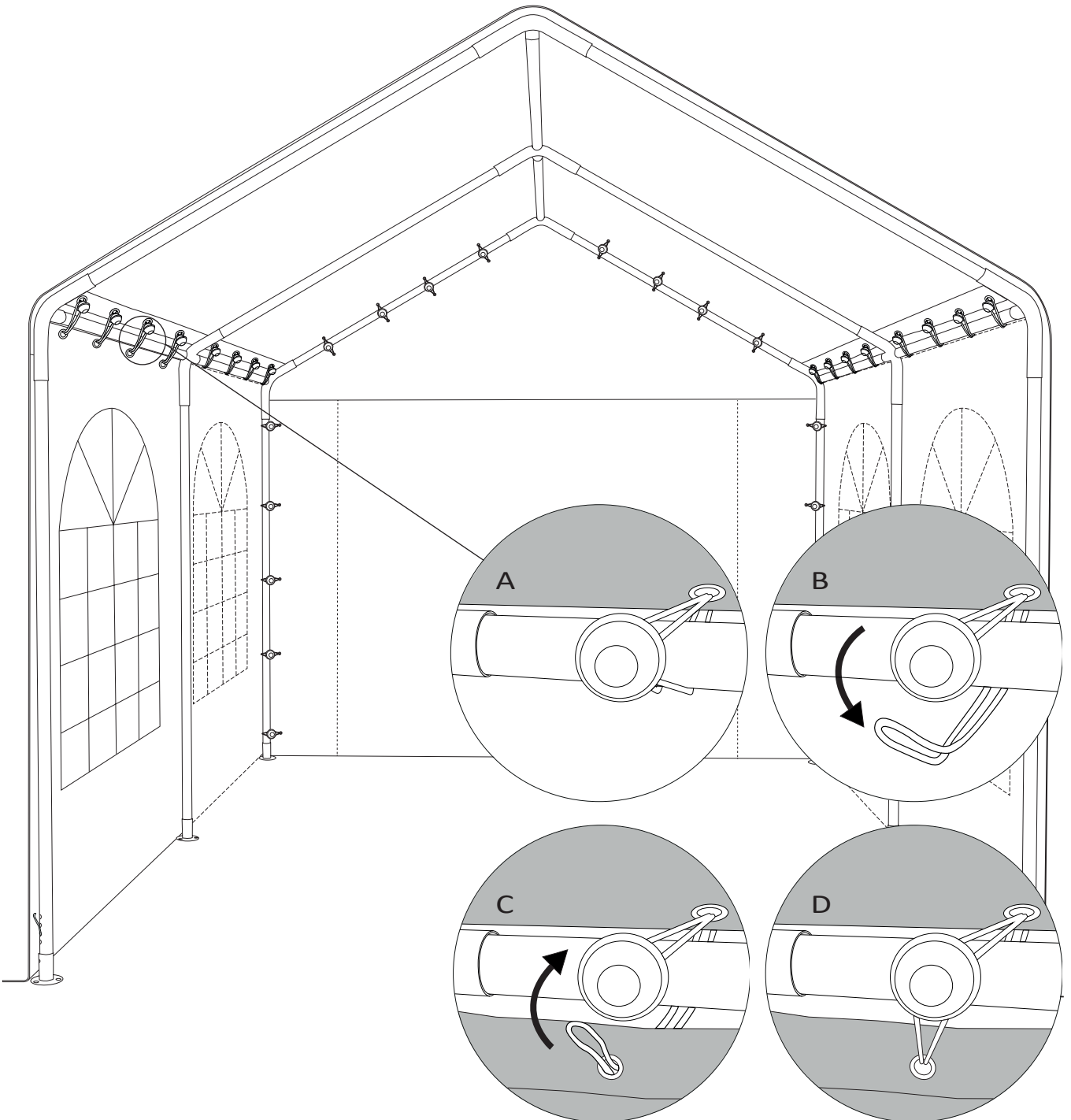
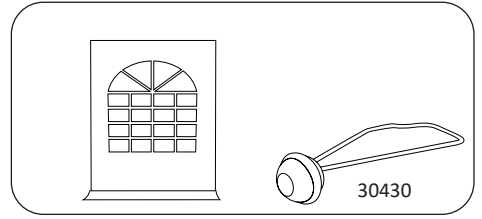
6





# PT-L1-Q2 4 m x 5 m

7





# PT-L1-Q2 4 m x 5 m

8

