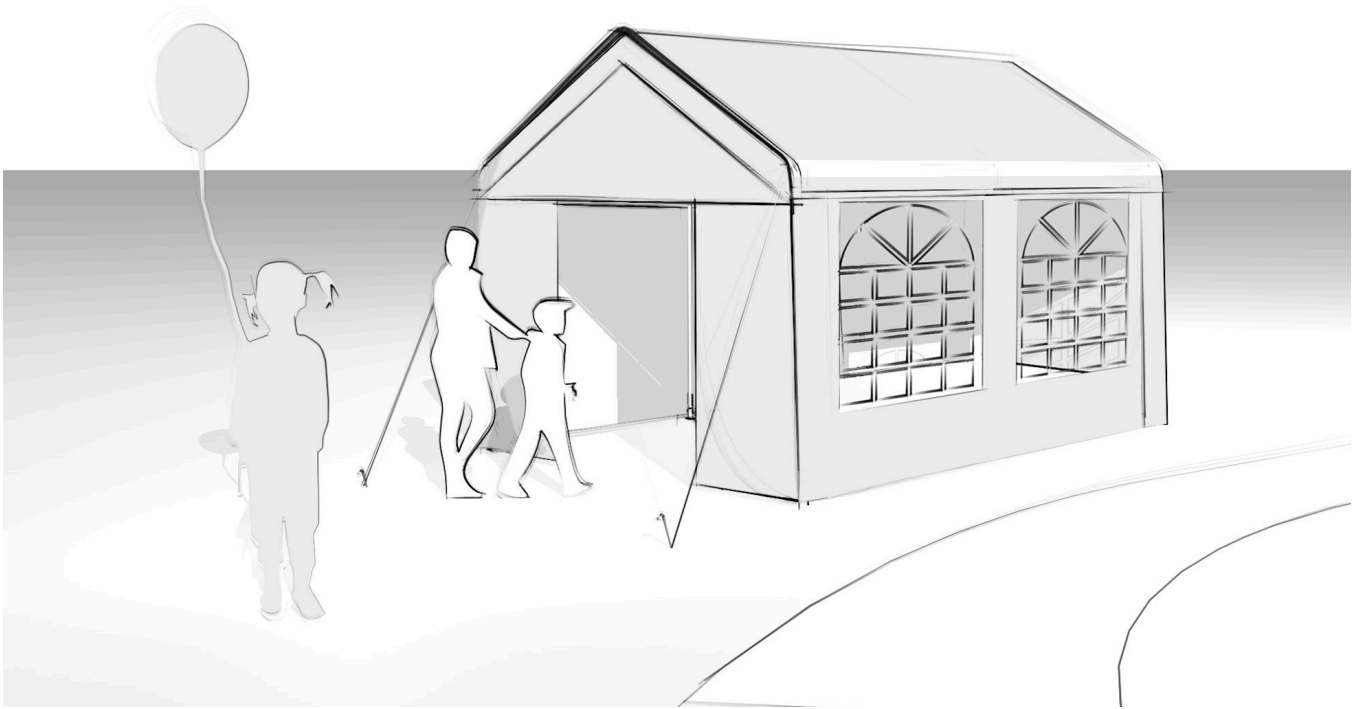




PT-L1-Q3 4 m x 5 m



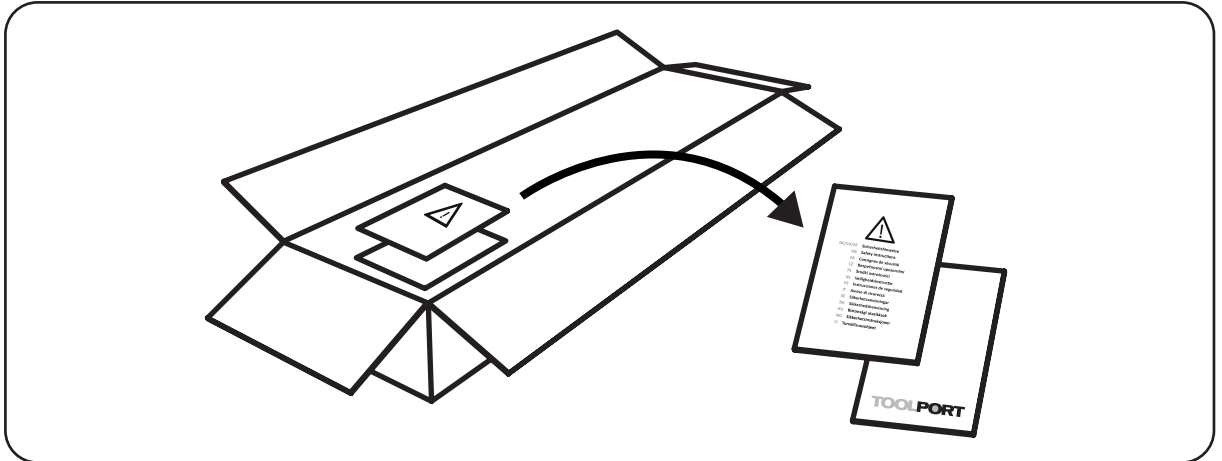
02/2025-05

TOOLPORT

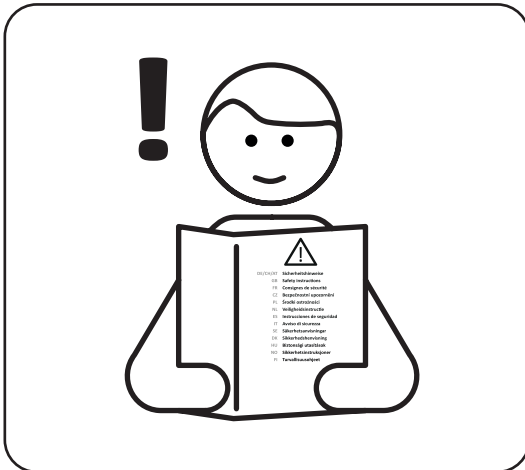


PT-L1-Q3 4 m x 5 m

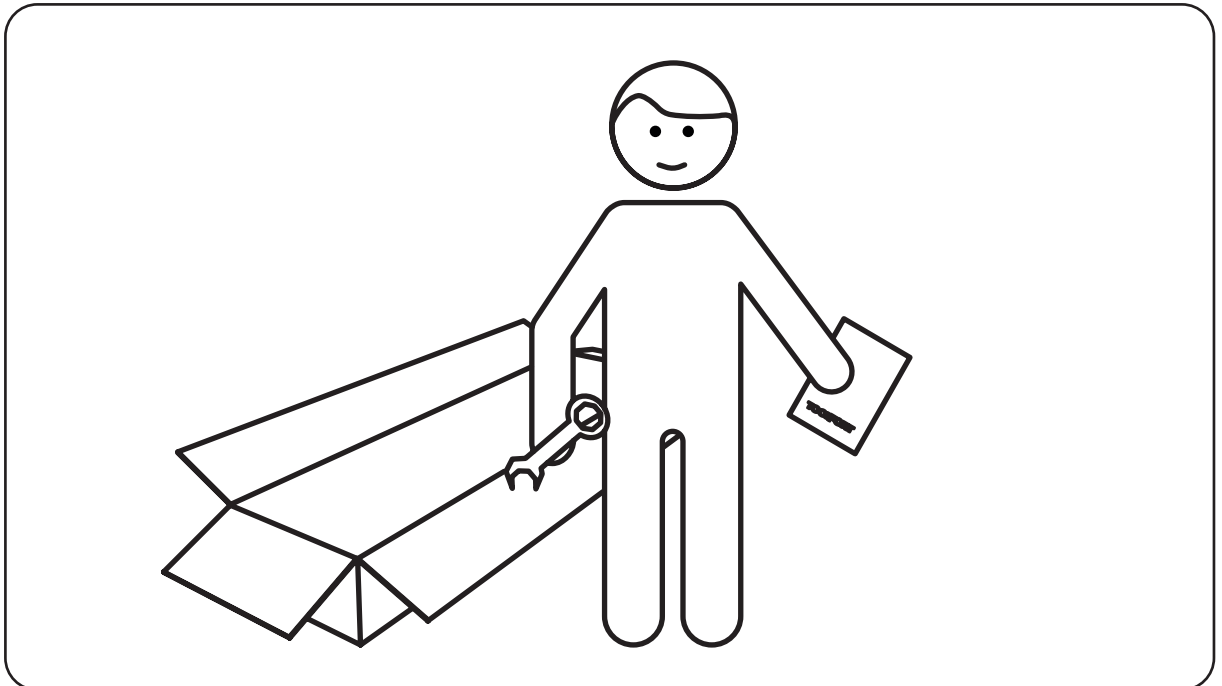
A



B

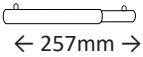
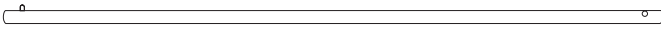
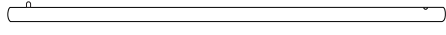
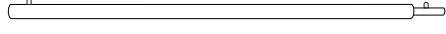

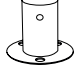

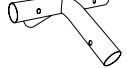

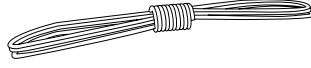


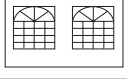

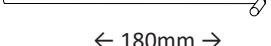
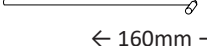


C





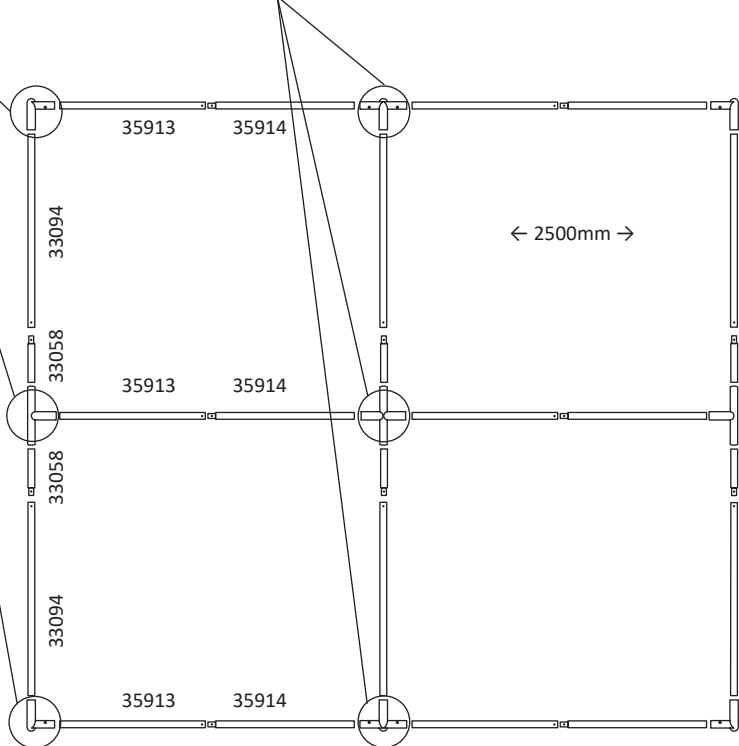
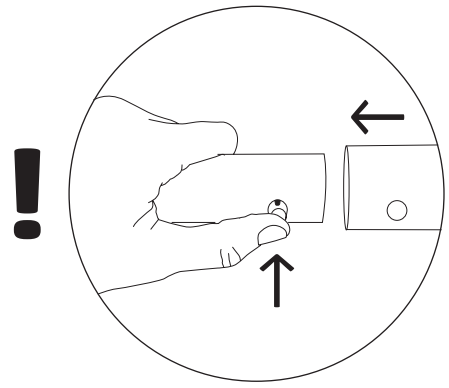
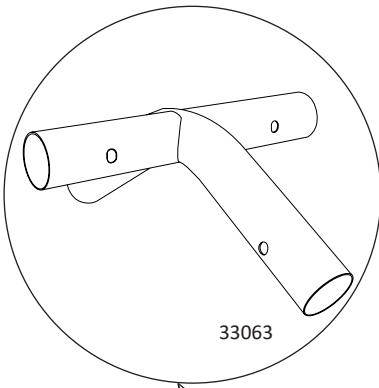
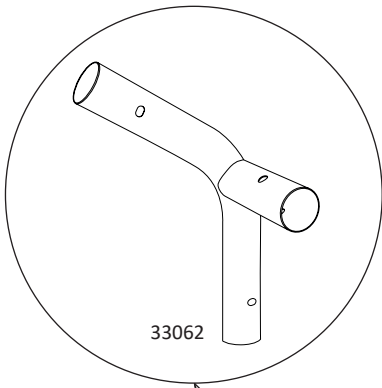
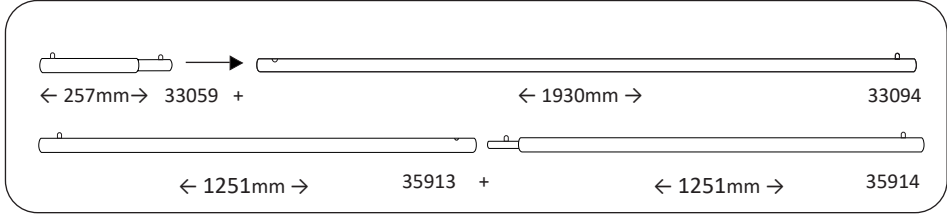
PT-L1-Q3 4 m x 5 m

Item no.		5m
33059	Ø38mm  ← 257mm →	6
33094	 Ø38mm ← 1930mm →	6
35913	 Ø38mm ← 1251mm →	6
35914	 Ø38mm ← 1251mm →	6
33057	 Ø38mm ← 1895mm →	6
33079		6
33062		6
33063		3
30430		60
30050		4
30051		4
		1
		2
		2
30046	 ← 180mm →	4
30047	 ← 160mm →	31



PT-L1-Q3 4 m x 5 m

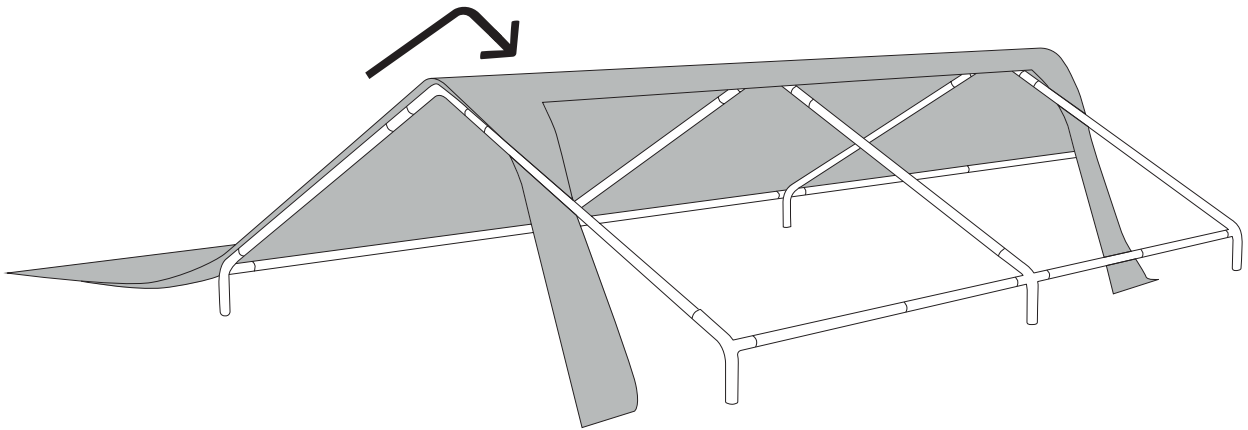
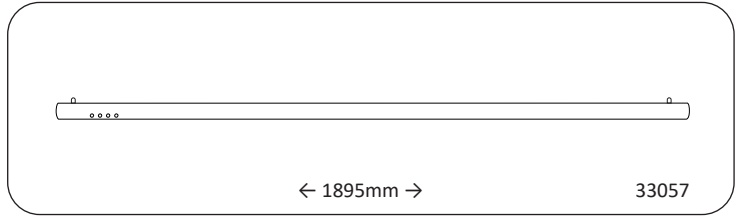
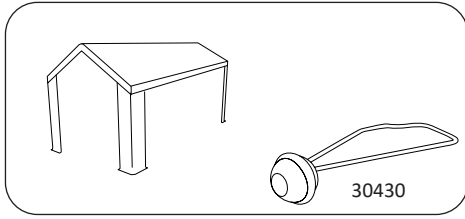
1



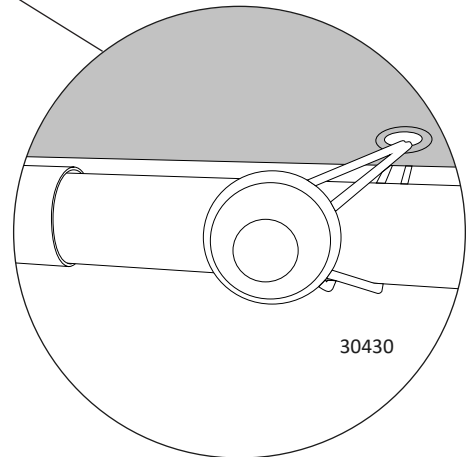
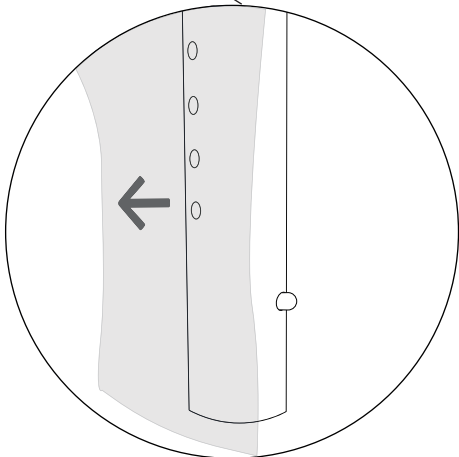
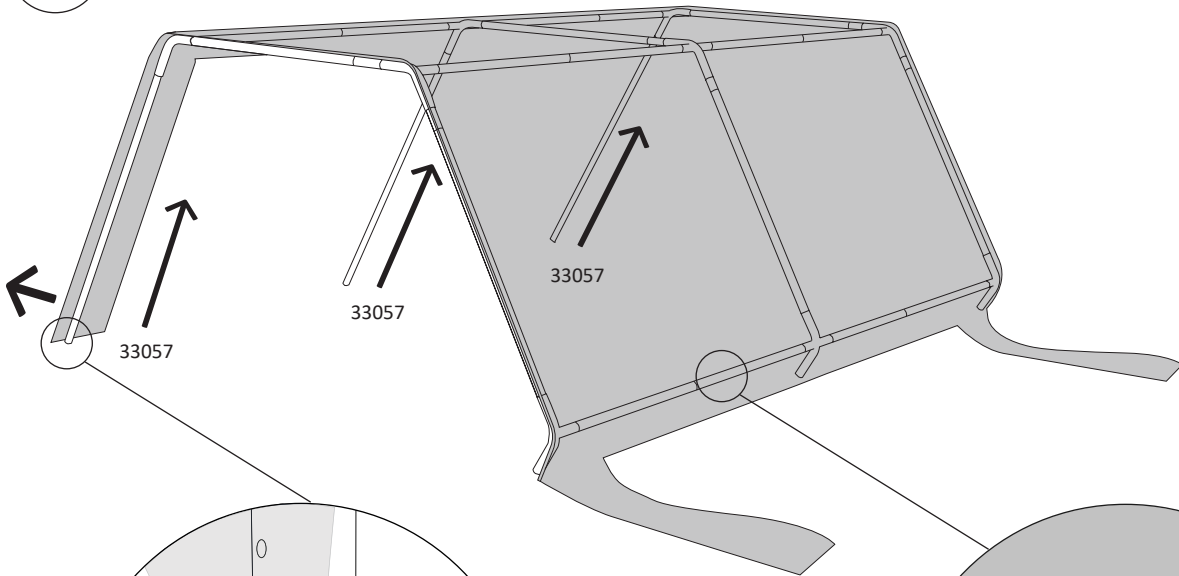


PT-L1-Q3 4 m x 5 m

2



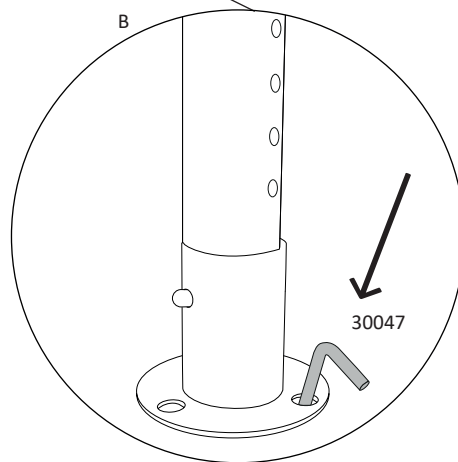
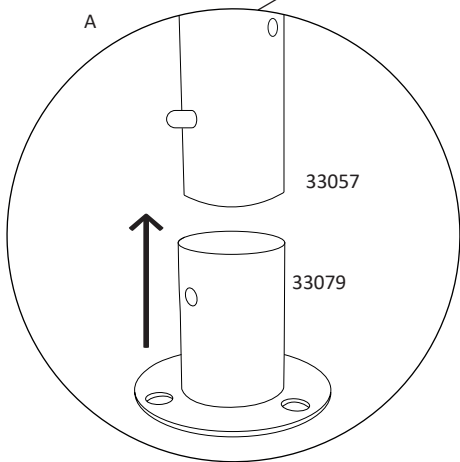
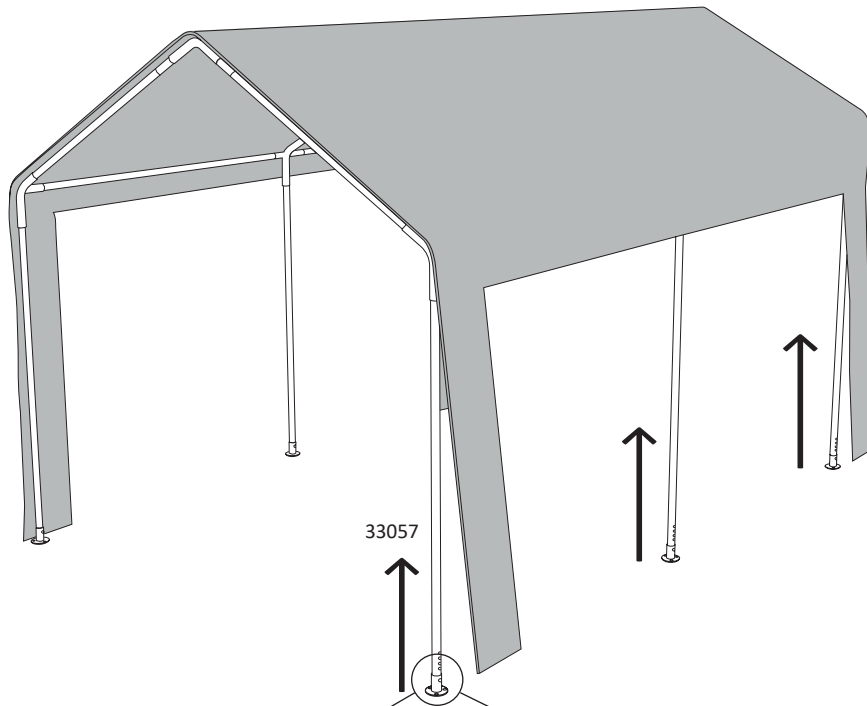
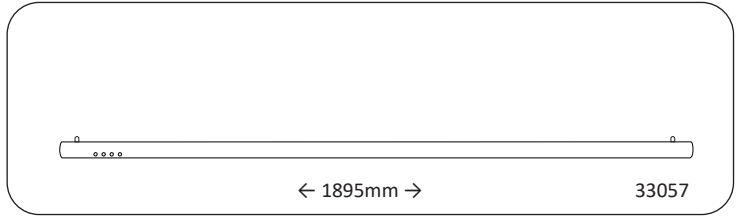
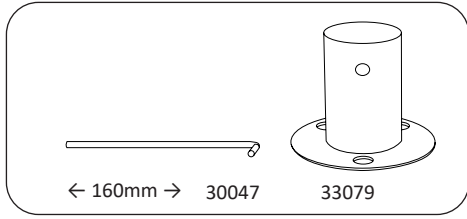
3





PT-L1-Q3 4 m x 5 m

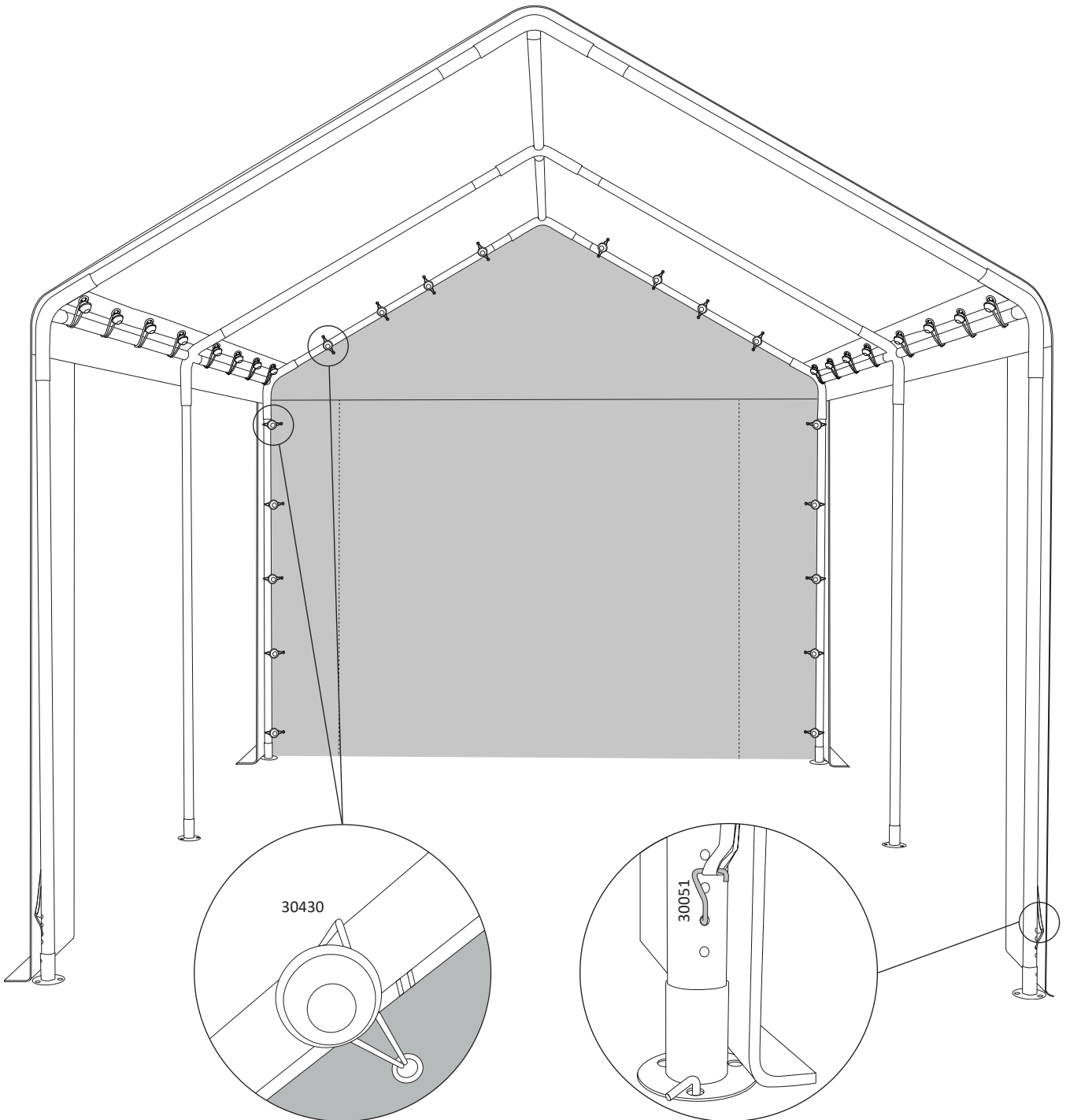
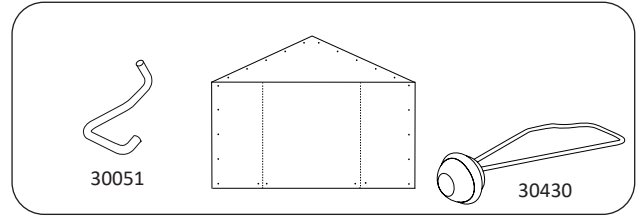
4





PT-L1-Q3 4 m x 5 m

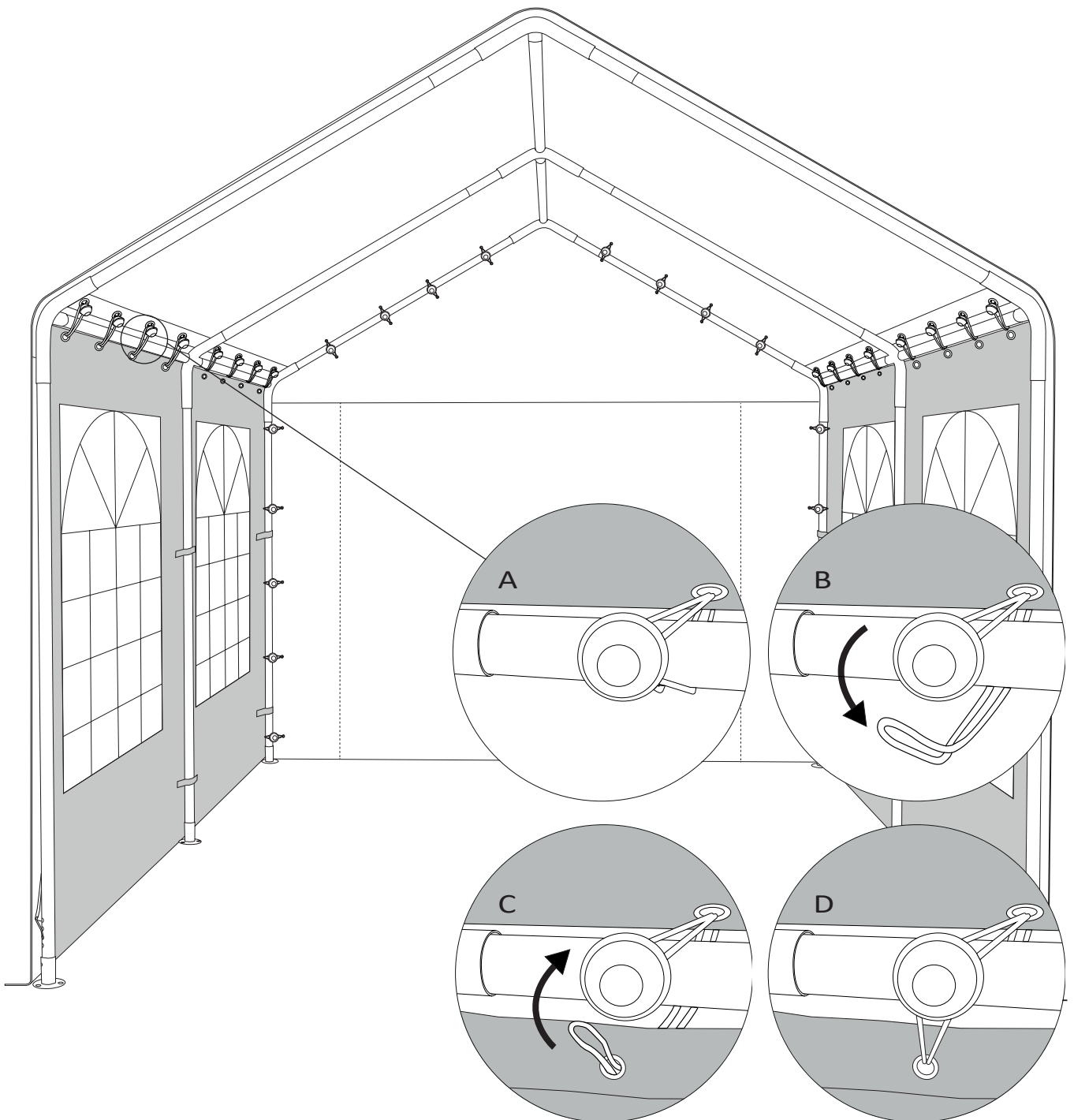
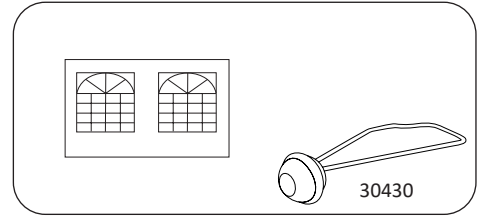
5





PT-L1-Q3 4 m x 5 m

6





PT-L1-Q3 4 m x 5 m

7

