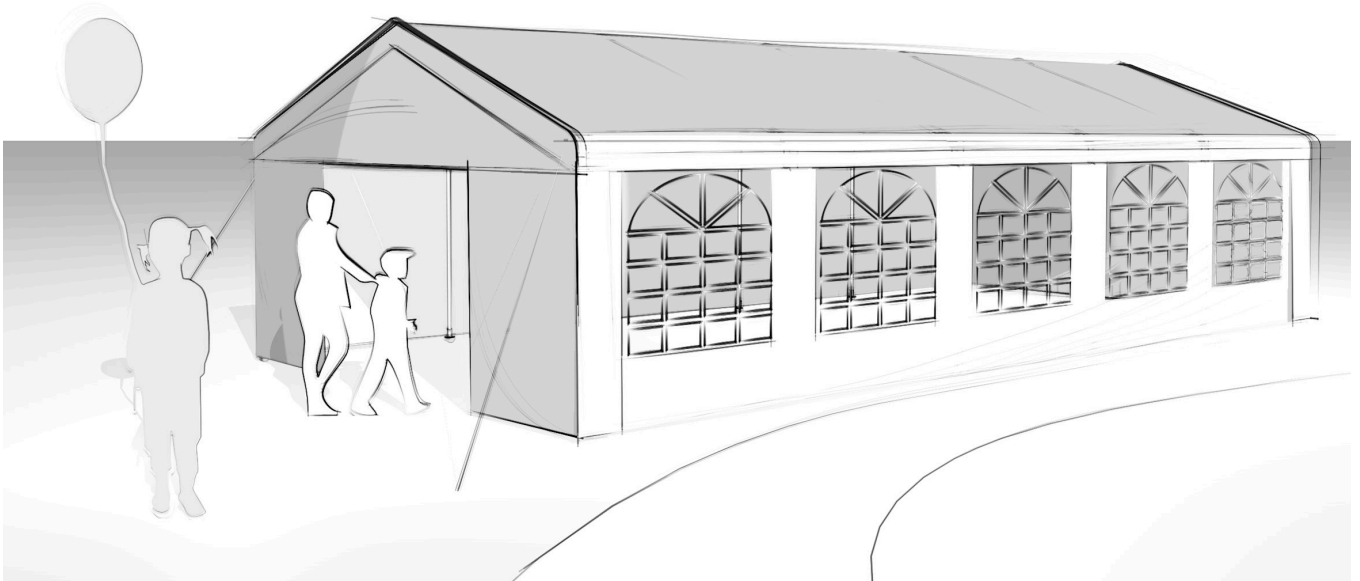




PT-L1-Q3 5 m x 8 m, 5 m x 10 m



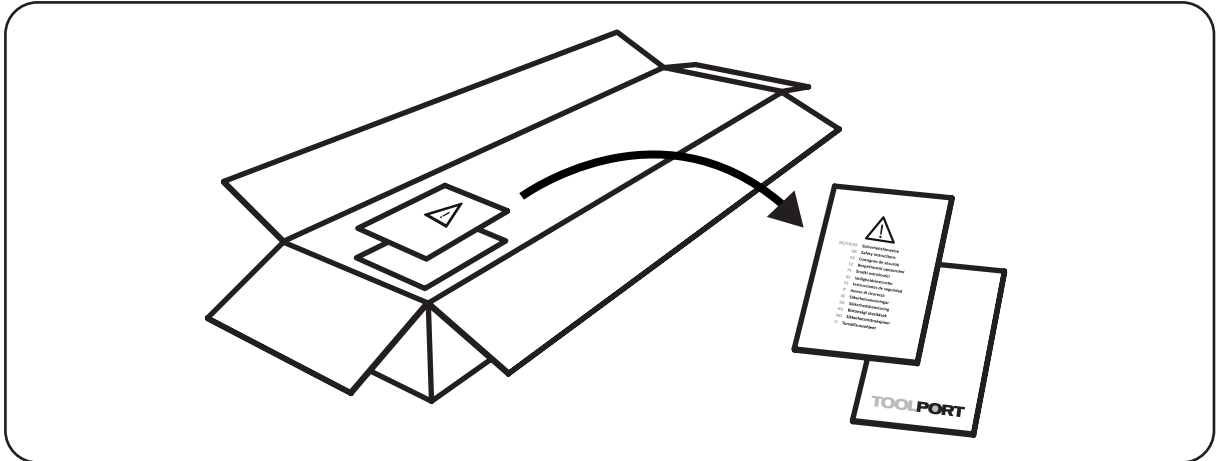
07/2024-04

TOOLPORT

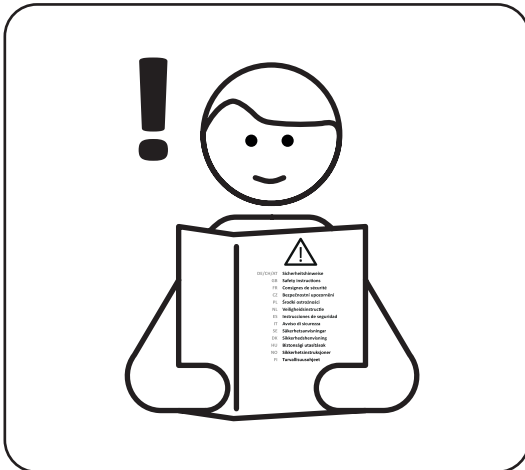


PT-L1-Q3 5 m x 8 m, 5 m x 10 m

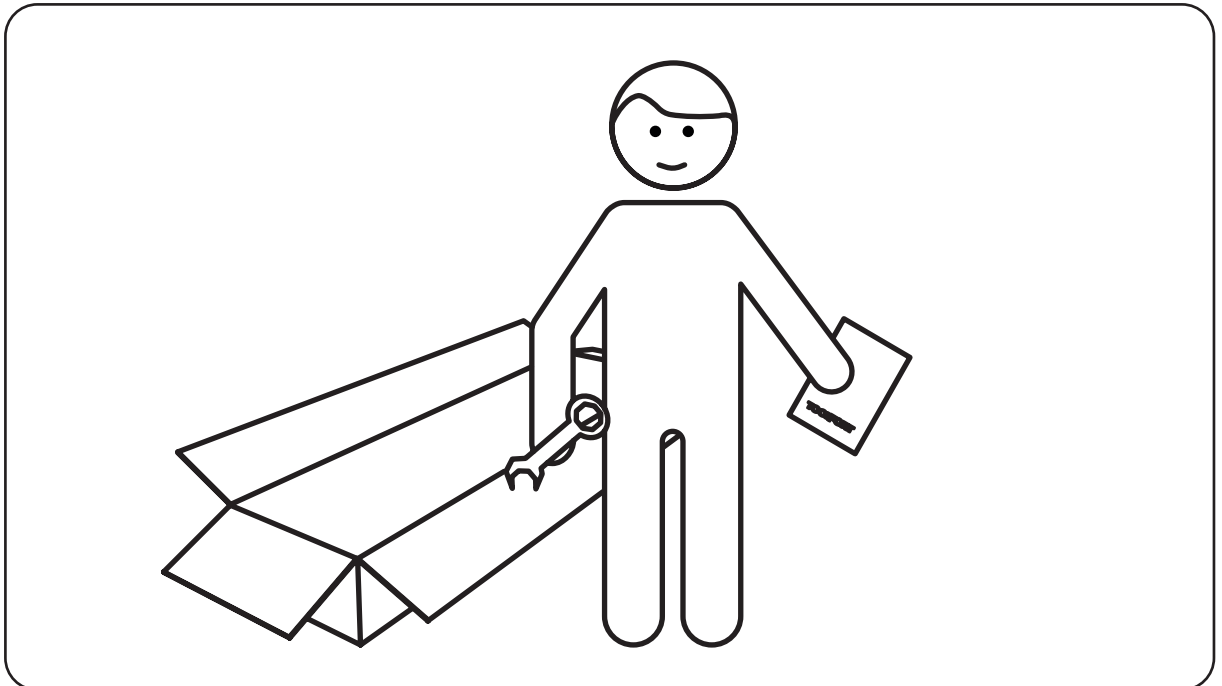
A



B

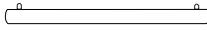
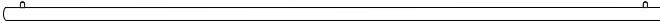

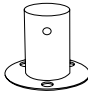
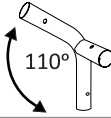
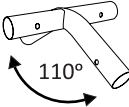
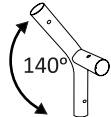
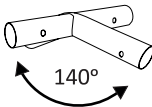


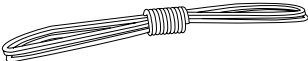


C





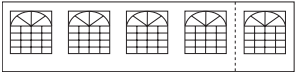
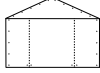




PT-L1-Q3 5 m x 8 m, 5 m x 10 m

Item no.		8 m	10 m
33056	 <p>Ø38mm ← 510mm →</p>	10	12
33060	 <p>Ø38mm ← 1930mm →</p>	22	27
33057	 <p>Ø38mm ← 1895mm →</p>	10	12
33079		10	12
33064	 <p>110°</p>	4	4
33065	 <p>110°</p>	6	8
33066	 <p>140°</p>	2	2
33067	 <p>140°</p>	3	4
33068	 <p>Ø42mm ← 200mm →</p>	10	12
30430		80	88
30050		4	4



PT-L1-Q3 5 m x 8 m, 5 m x 10 m

Item no.		8 m	10 m
30051		4	4
		1	1
		2	2
		2	2
30046	 <p data-bbox="667 1066 799 1093">← 180mm →</p>	4	4
30047	 <p data-bbox="667 1189 799 1216">← 160mm →</p>	28	32



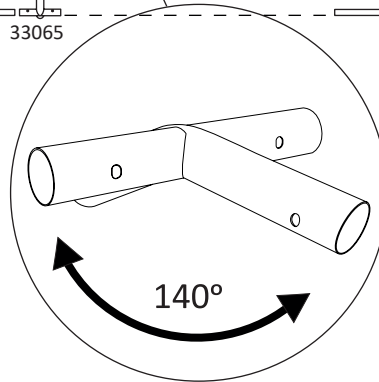
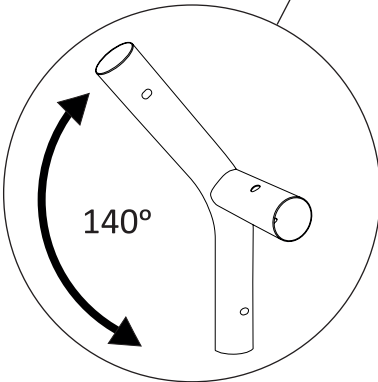
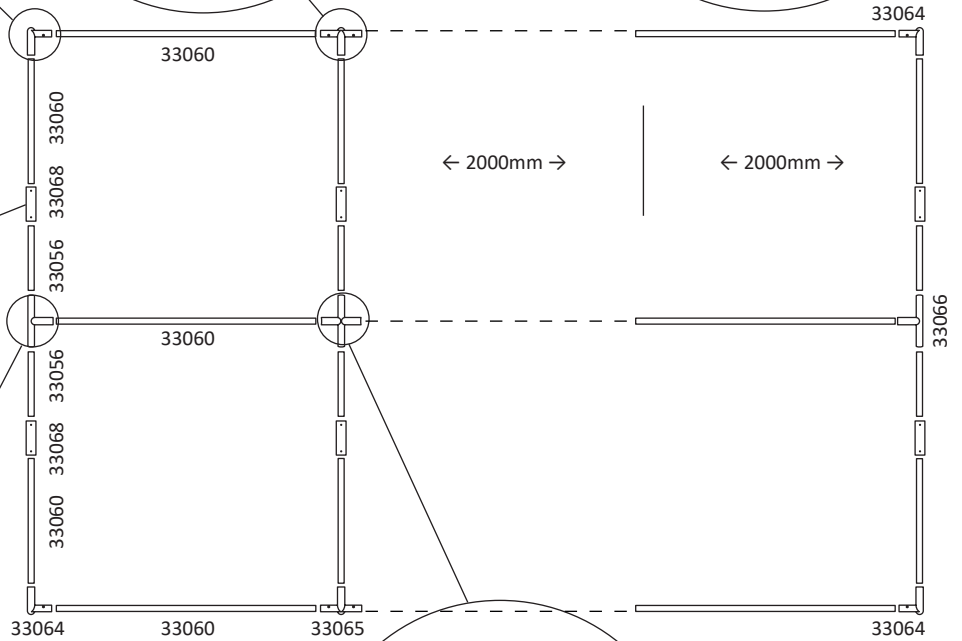
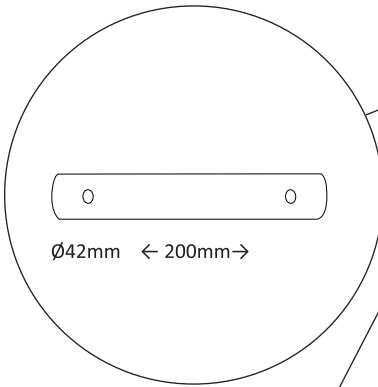
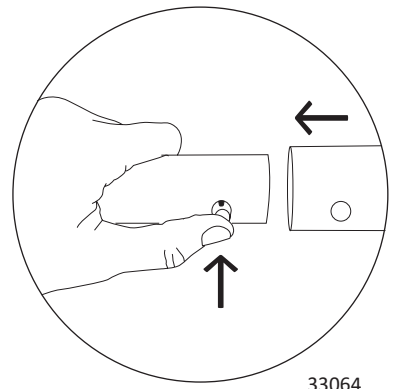
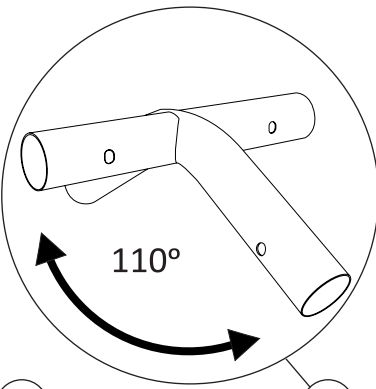
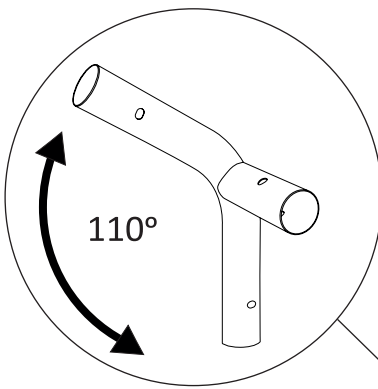
PT-L1-Q3 5 m x 8 m, 5 m x 10 m

1

← 510mm → 33056 + ← 200mm → 33068 +

← 1930mm → 33060

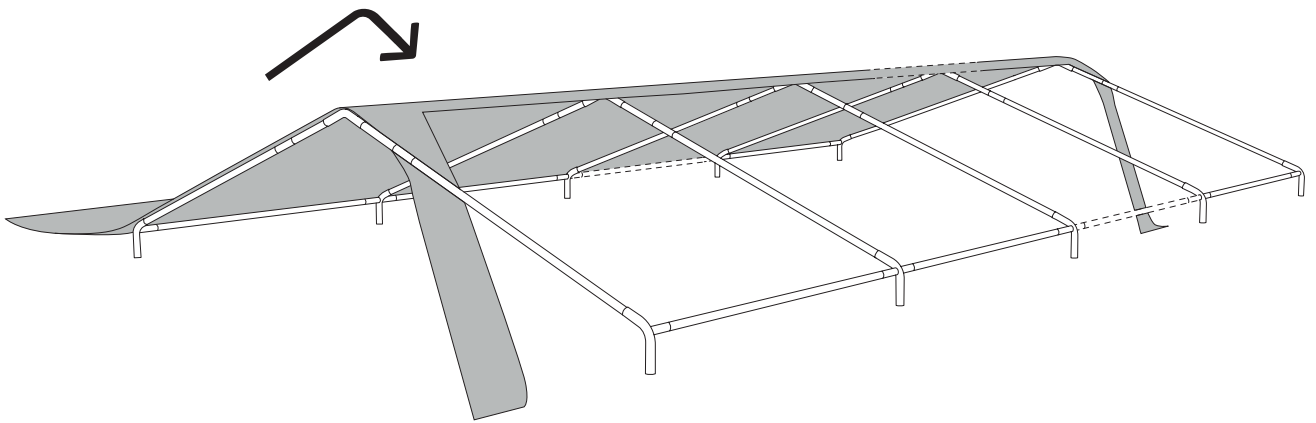
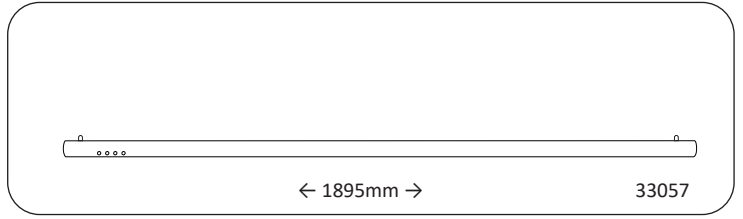
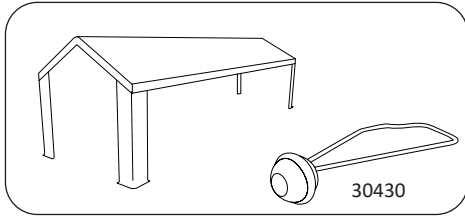
← 1930mm → 33060



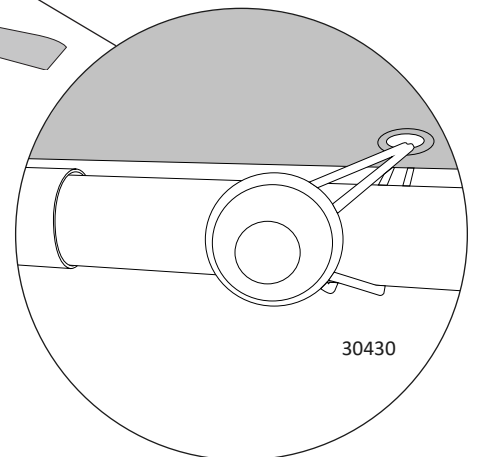
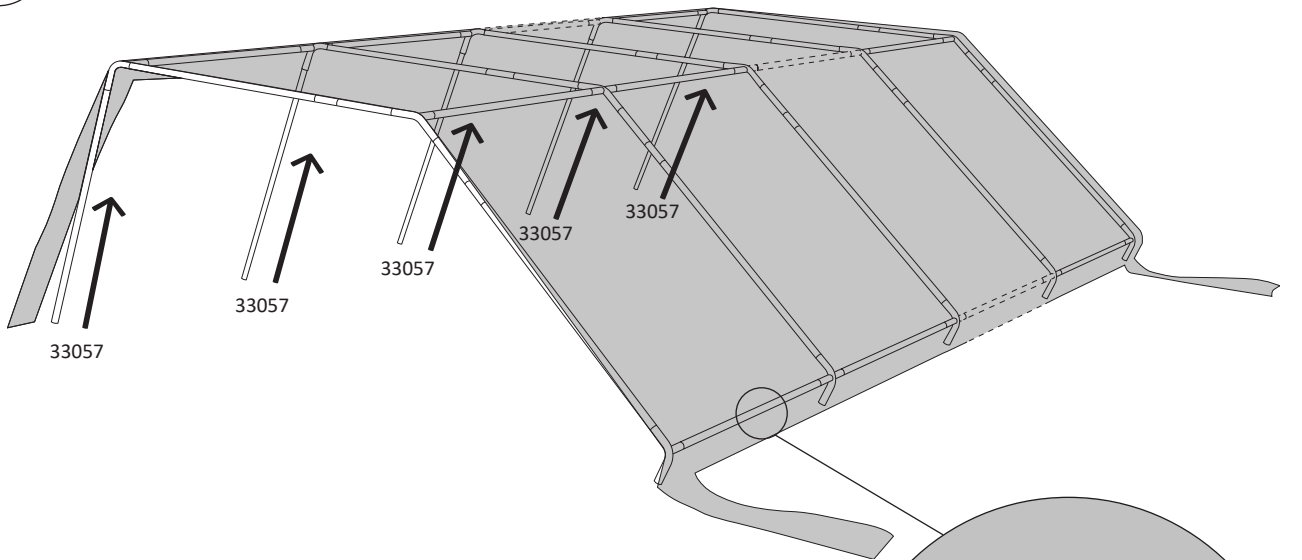


PT-L1-Q3 5 m x 8 m, 5 m x 10 m

2



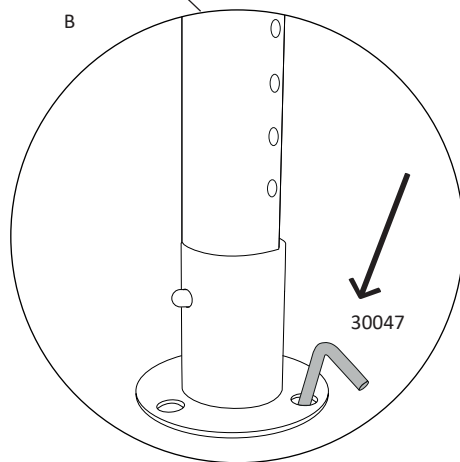
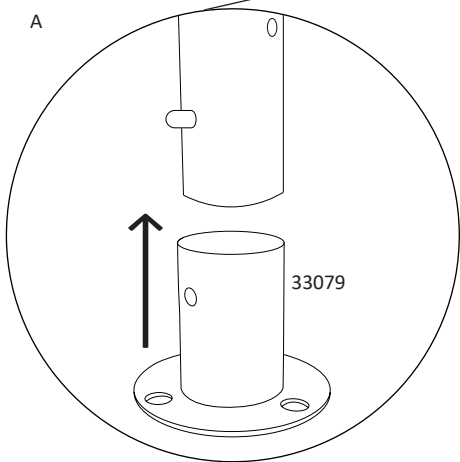
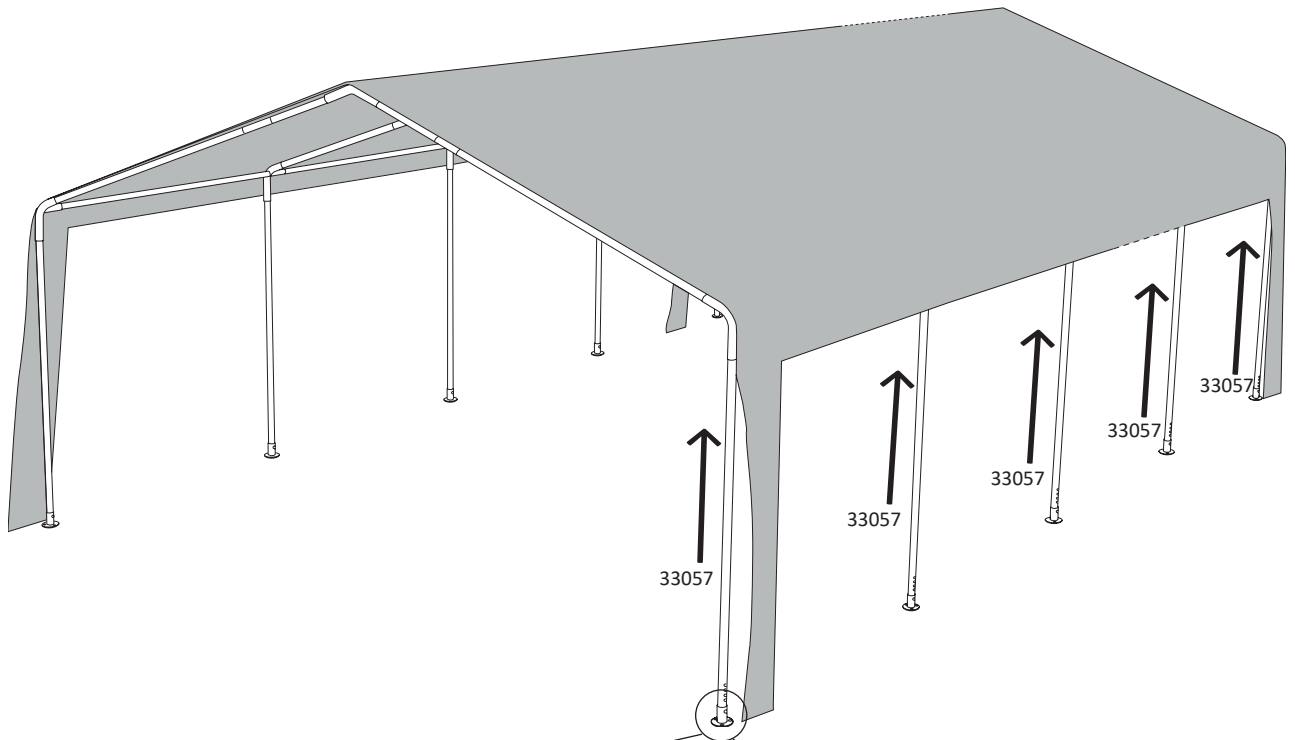
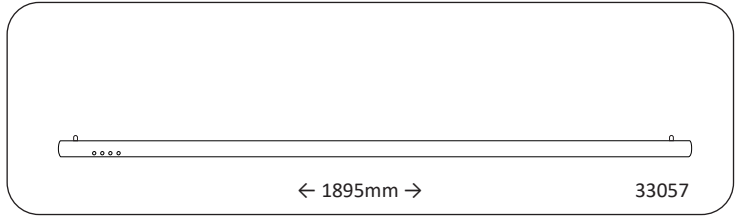
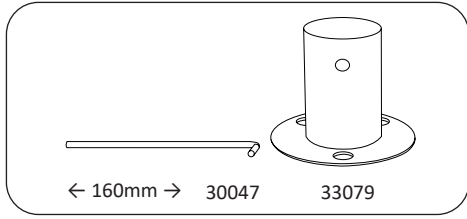
3





PT-L1-Q3 5 m x 8 m, 5 m x 10 m

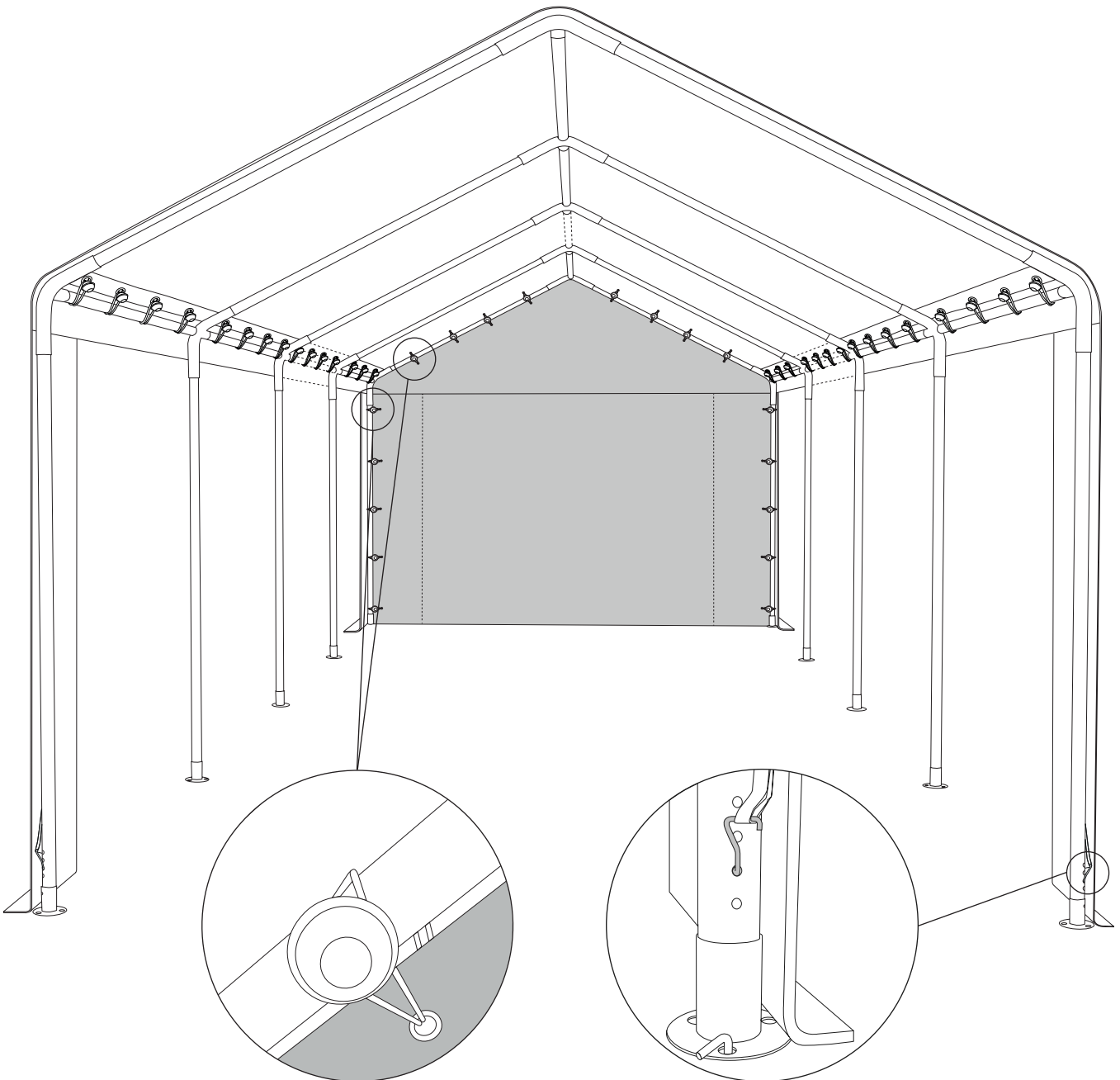
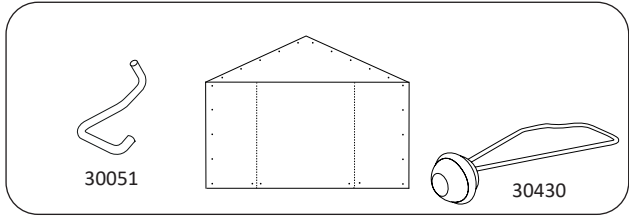
4





PT-L1-Q3 5 m x 8 m, 5 m x 10 m

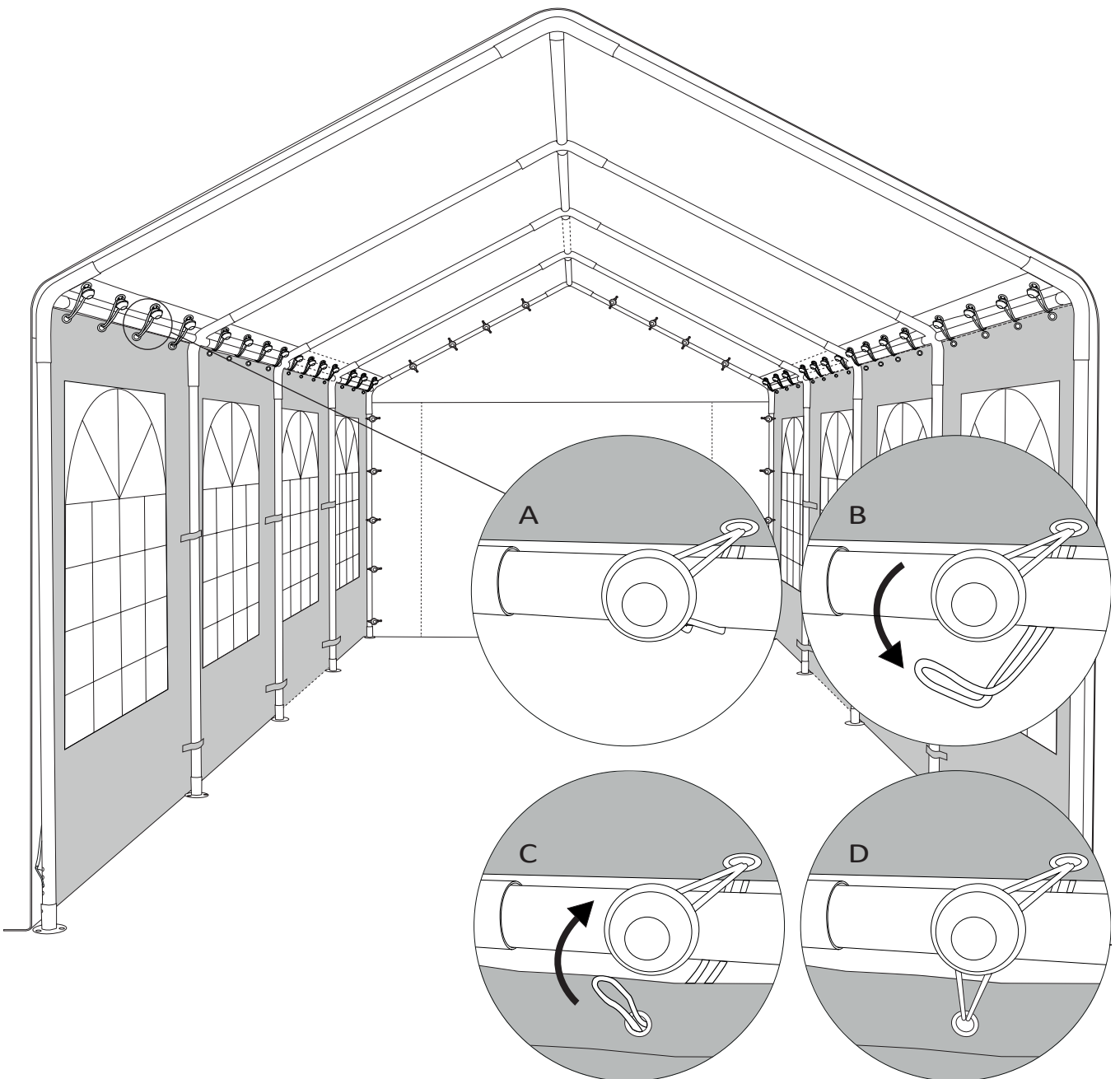
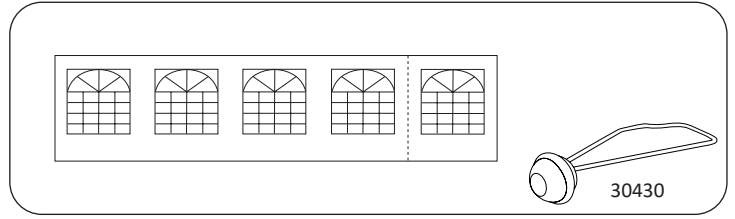
5





PT-L1-Q3 5 m x 8 m, 5 m x 10 m

6





PT-L1-Q3 5 m x 8 m, 5 m x 10 m

7

